

Interchange Unit Type 1027 (B416)

(RoHS Compliant Materials)

Interchange Unit Type 1027 (B416)

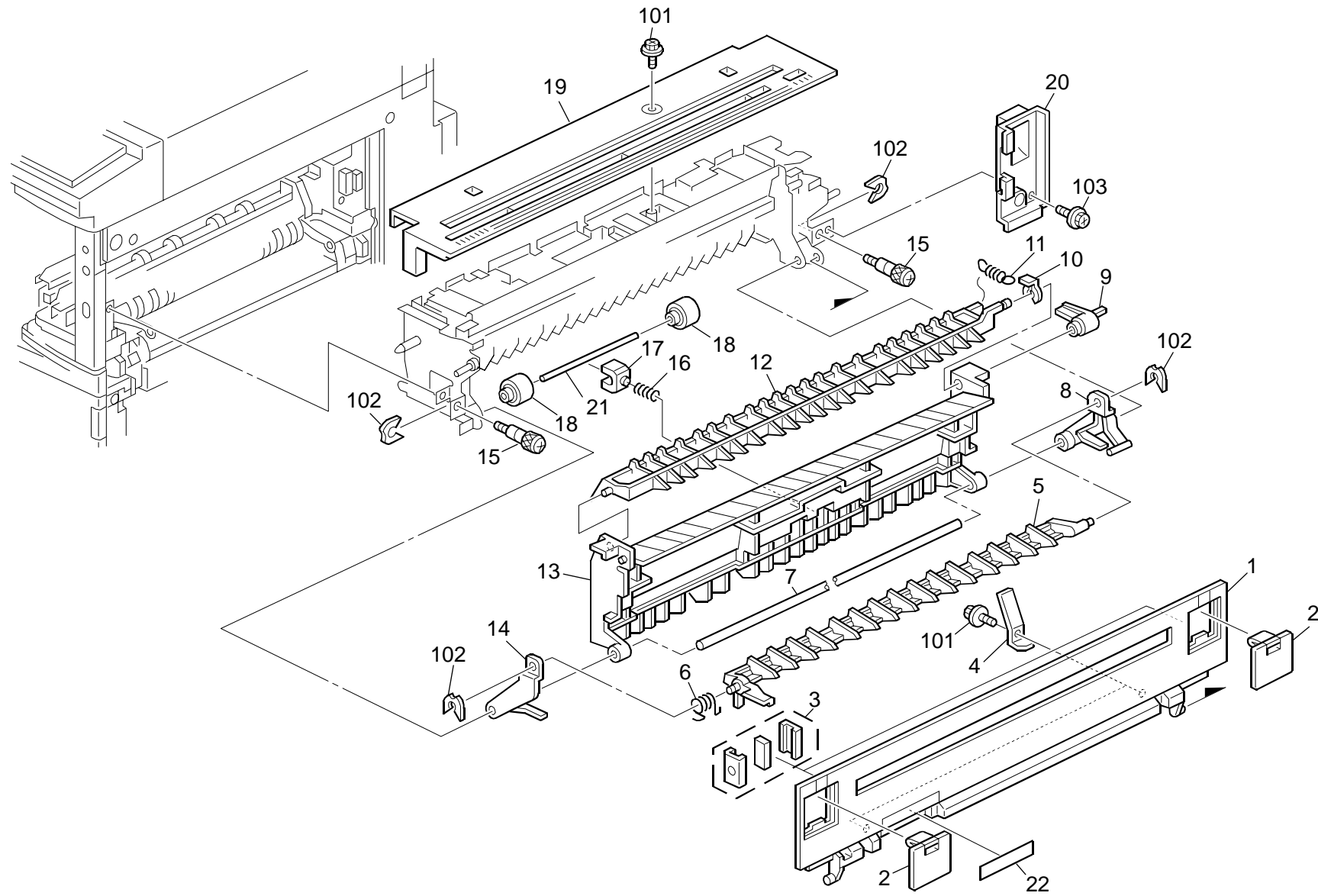
PARTS CATALOG

This catalog gives the numbers and names of parts on this machine.

1.Interchange Unit 1 (B416)	2
2.Interchange Unit 2 (B416)	4
PARTS INDEX	7

July ,01 ' 2005

1. Interchange Unit 1 (B416)

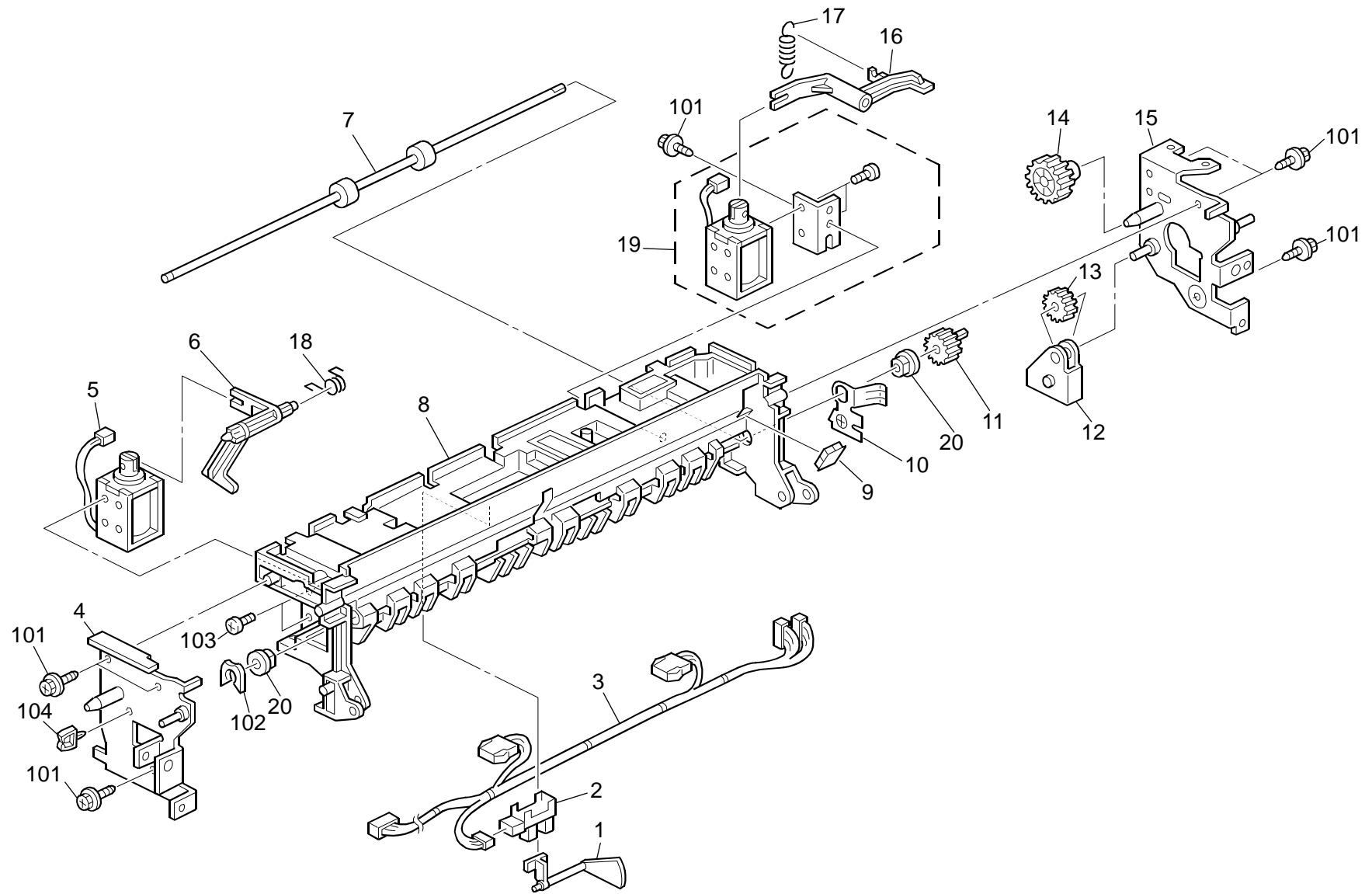


1.Interchange Unit 1 (B416)

Index No.	Part No.	Description	Q'ty Per Assembly
1	B416 4582	Cover - Gate	1
2	B416 4583	Cap - Finisher	2
3	AG07 0514	Magnet Catch	2
4	B300 4584	Spring Plate Guide Plate	2
5	B300 4571	Gate Pawl Lower	1
6	AA06 6314	Gate Pawl Lower Spring	1
7	G305 4574	Shaft:Guide Plate:Open And Close	1
8	B300 4572	Arm Gate Pawl Lower Rear	1
9	B300 4569	Lever Gate Pawl Upper	1
10	5447 2681	Snap Ring	1
11	AA06 0794	Spring - Link Gate Pawl - Uppe R	1
12	B300 4568	Gate Pawl Upper	1
13	B300 4563	Guide Plate	1
14	B300 4575	Arm Gate Pawl Lower Front	1
15	AA14 3652	Knob Screw:Gate	2
16	AA06 6368	Spring - Exit	1
17	AA08 0156	Bushing - M4	1
18	B300 4566	Roller Tension	2
19	B416 4587	Guide Plate - Exit	1
20	B416 4588	Inner Cover - Harness	1
21	AA14 3653	Shaft:Roller:Tension	1
22	B090 4462	Decal - C	1

Index No.	Part No.	Description	Q'ty Per Assembly
101	0450 3008N	Tapping Screw - M3x8	
102	0805 0089	Retaining Ring - M4	
103	0451 3008N	Tapping Screw - M3x8	

2. Interchange Unit 2 (B416)



2.Interchange Unit 2 (B416)

Index No.	Part No.	Description	Q'ty Per Assembly
1	B300 4516	Feeler Photointerruptor	1
2	AW02 0156	Photointerruptor:EE-SX4235A-P2	1
3	B416 5264	Harness - Gate	1
4	B300 4538	Side Plate - Front	1
5	B300 4524	DC Solenoid Gate Pawl - Lower	1
6	B300 4512	Link Gate Pawl Lower	1
7	B300 4543	Transport Roller	1
8	B300 4501	Frame Gate	1
9	AA16 1143	Cushion - Link	1
10	B300 4533	Spring Plate Gear Swivel	1
11	AB01 1405	Gear - Transport Roller	1
12	B300 4528	Gear Swivel Gate	1
13	AB01 1408	Gear - Idler Small	1
14	AB01 1407	Gear - Idler Large	1
15	B300 4531	Side Plate - Rear	1
16	B300 4508	Line Gate Pawl Upper	1
17	AA06 0794	Spring - Link Gate Pawl - Uppe R	1
18	AA06 6330	Spring- Lowergate Pawl	1
19	B300 4519	DC Solenoid:Gate Pawl:Upper:Ass'y	1
20	AA08 2101	Bushing - 6x10x6	1

Index No.	Part No.	Description	Q'ty Per Assembly
101	0450 3008N	Tapping Screw - M3x8	
102	0805 0089	Retaining Ring - M4	
103	0353 0040N	Screw - M3X4	
104	1105 0229	Clamp	

Parts Index

Parts Index

Part No.	Description	Page and Index No.
B416 4582	Cover - Gate	3 - 1
B416 4583	Cap - Finisher	3 - 2
B416 4587	Guide Plate - Exit	3 - 19
B416 4588	Inner Cover - Harness	3 - 20
B416 5264	Harness - Gate	5 - 3

Part No.	Description	Page and Index No.
B090 4462	Decal - C	3 - 22
B300 4501	Frame Gate	5 - 8
B300 4508	Line Gate Pawl Upper	5 - 16
B300 4512	Link Gate Pawl Lower	5 - 6
B300 4516	Feeler Photointerruptor	5 - 1
B300 4519	DC Solenoid:Gate Pawl:Upper:Ass'y	5 - 19
B300 4524	DC Solenoid Gate Pawl - Lower	5 - 5
B300 4528	Gear Swivel Gate	5 - 12
B300 4531	Side Plate - Rear	5 - 15
B300 4533	Spring Plate Gear Swivel	5 - 10
B300 4538	Side Plate - Front	5 - 4
B300 4543	Transport Roller	5 - 7
B300 4563	Guide Plate	3 - 13
B300 4566	Roller Tension	3 - 18
B300 4568	Gate Pawl Upper	3 - 12
B300 4569	Lever Gate Pawl Upper	3 - 9
B300 4571	Gate Pawl Lower	3 - 5
B300 4572	Arm Gate Pawl Lower Rear	3 - 8
B300 4575	Arm Gate Pawl Lower Front	3 - 14
B300 4584	Spring Plate Guide Plate	3 - 4
G305 4574	Shaft:Guide Plate:Open And Close	3 - 7

Part No.	Description	Page and Index No.
AA06 0794	Spring - Link Gate Pawl - Uppe R	3 - 11
AA06 0794	Spring - Link Gate Pawl - Uppe R	5 - 17
AA06 6314	Gate Pawl Lower Spring	3 - 6
AA06 6330	Spring- Lowergate Pawl	5 - 18
AA06 6368	Spring - Exit	3 - 16
AA08 0156	Bushing - M4	3 - 17
AA08 2101	Bushing - 6x10x6	5 - 20
AA14 3652	Knob Screw:Gate	3 - 15
AA14 3653	Shaft:Roller:Tension	3 - 21
AA16 1143	Cushion - Link	5 - 9
AB01 1405	Gear - Transport Roller	5 - 11
AB01 1407	Gear - Idler Large	5 - 14
AB01 1408	Gear - Idler Small	5 - 13
AG07 0514	Magnet Catch	3 - 3
AW02 0156	Photointerruptor:EE-SX4235A-P2	5 - 2

Part No.	Description	Page and Index No.
0353 0040N	Screw - M3X4	5 - 103
0450 3008N	Tapping Screw - M3x8	3 - 101
0450 3008N	Tapping Screw - M3x8	5 - 101
0451 3008N	Tapping Screw - M3x8	3 - 103
0805 0089	Retaining Ring - M4	3 - 102
0805 0089	Retaining Ring - M4	5 - 102
1105 0229	Clamp	5 - 104

Part No.	Description	Page and Index No.
5447 2681	Snap Ring	3 - 10

Part No.	Description	Page and Index No.